



Extra Features

SYSTEM FEATURES

- UL Listed 1449 4th Edition for Type 1 and Type 2 SPD applications.
- Innovative Z-Path System™ ensures equal current sharing, increased reliability and maximum performance
- Individually fused MOVs provide superior protection and continuous operation
- 200kAIC short circuit current rating allows direct bus connection without the need for an upstream over-current protection device
- **Includes best-in-class UL 1283 enhanced EMI/RFI filter**
- All modes of protection (L-N, L-G, N-G & L-L)
- Form "C" contacts and audible alarm with silence button – standard
- **Surge event counter – standard**
- DTS-2 compatible for proactive testing
- Ultra compact steel NEMA 4 enclosure makes installation flexible
- **15-Year standard product warranty**

MODEL NUMBER SCHEME

E.g.: CGP-150-120/208-3GY (as shown in above photo)



kA Rating (Must Choose One)

| | |
|-----|----------------|
| 060 | 60kA per mode |
| 080 | 80kA per mode |
| 100 | 100kA per mode |
| 120 | 120kA per mode |
| 150 | 150kA per mode |
| 200 | 200kA per mode |

Voltage (Must Choose One)

| | |
|--------------|--|
| 220-1G | 220V, 1-Phase, 2-Wire + Ground |
| 230-1G | 230V, 1-Phase, 2-Wire + Ground |
| 240-1G | 240V, 1-Phase, 2-Wire + Ground |
| 120/240-2G | 120/240V, 2-Phase, 3-Wire + Ground |
| 120/208-3GY | 120/208V, 3-Phase Wye, 4-Wire + Ground |
| 220/380-3GY | 220/380V, 3-Phase Wye, 4-Wire + Ground |
| 230/400-3GY | 230/400V, 3-Phase Wye, 4-Wire + Ground |
| 277/480-3GY | 277/480V, 3-Phase Wye, 4-Wire + Ground |
| 347/600-3GY | 347/600V, 3-Phase Wye, 4-Wire + Ground |
| 120/240-3GHD | 120/240V, 3-Phase High-Leg Delta, 4-Wire + Ground (B-Phase must be 208V) |
| 240-3DG | 240V, 3-Phase Delta, 3-Wire + Ground |
| 380-3DG | 380V, 3-Phase Delta, 3-Wire + Ground |
| 480-3DG | 480V, 3-Phase Delta, 3-Wire + Ground |
| 600-3DG | 600V, 3-Phase Delta, 3-Wire + Ground |

Available Options

| | |
|----|---|
| S | Stainless Steel Enclosure |
| D | For 200kAIC External Disconnect |
| SD | For External Disconnect & Stainless Steel Enclosure |
| | Leave blank for no Disconnect & Standard Enclosure |

Stand-Alone Option (To Be Ordered As Separate Items)

| | |
|-----|---------------------------|
| DTS | DTS-2 Diagnostic Test Set |
|-----|---------------------------|

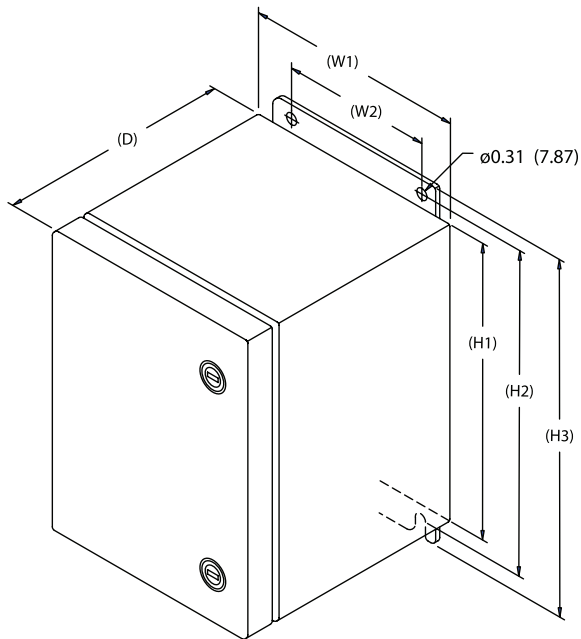
PRODUCT SPECIFICATIONS

General Specifications

| | |
|---------------------------------|--|
| Maximum Surge Current Rating | 150kA per mode, 300kA per phase |
| Nominal Discharge Surge Current | I-n = 20kA |
| Safety Listings | UL Listed 1449 4th Edition for Type 1 and Type 2 SPD applications, cUL, and UL 1283 / Meets Requirements for UL 96A / Compliant to IEEE C62.41.1-2002, C62.41.2-2002 and C62.45-2002 / NFPA 70 [NEC], Article 285 / RoHS Compliant |
| Repetitive Surge Current Rating | 5,500 impulses per mode based on actual test data (using ANSI/IEEE C62.41.1-2002 C3 combo wave) |
| Product Design | Hybrid parallel design Individually fused MOVs UL 1283 EMI/RFI Filter |
| Application | ANSI/IEEE C62.41.1 Locations C, B and A Ideal for Distribution Panels, Branch Panels and Critical Loads |
| Standard Monitoring | Status indicator lights (one per phase) Service indicator light Form C contacts (NO/NC) Audible alarm with silence button Surge counter |
| Fault Current (SCCR) | 200kAIC – no upstream over-current protection device (breaker or fuse) required |
| Connection Method | Parallel |
| Protection Modes | All Modes (L-N, L-G, N-G, L-L) |
| Response Time | < 0.5 Nanoseconds |
| Operating Frequency | 47 – 63 Hz |
| Warranty | 15 Year |

EMI / RFI Filter Attenuation – Mil Standard 220B

Up to 40 dB from 10 KHz to 100 MHz



DIMENSIONAL SPECIFICATIONS

| CGP150 | Inches | (mm) |
|--------|--------|---------|
| H1 | 14.00 | (355.6) |
| H2 | 14.75 | (374.7) |
| H3 | 15.50 | (393.7) |
| W1 | 12.75 | (323.9) |
| W2 | 10.75 | (273.1) |
| D | 6.30 | (160.0) |

MECHANICAL SPECIFICATIONS

| | |
|-----------------------|--|
| Enclosure Type | Powder coated, impact-resistant steel, weather-proof NEMA 4 |
| Installation Location | Indoor or outdoor |
| Dimensions | 14"H x 12.75"W x 6.3"D |
| Connection Method | Hard-wired via internal lugs #10AWG – #3 AWG |
| Mounting Method | Dual mounting flanges |
| Operating Environment | -40° F to +158° F (-40° C to +70° C) 5% – 95% non-condensing humidity |
| Weight | 40 lbs. |

CURRENTGUARD PLUS 150 PERFORMANCE DATA

| Model Number | CGP150-220-1G CGP150-230-1G CGP150-240-1G | | | CGP150-120/240-2G CGP150-120/208-3GY | | | | CGP150-220/380-3GY CGP150-230/400-3GY CGP150-277/480-3GY | | | | CGP150-347/600-3GY | | | | CGP150-120/240-3GHD | | | | | CGP150-240-3GD | | | | CGP150-380-3GD CGP150-480-3GD | | | | CGP150-600-3GD | |
|---|---|------|------|---|------|------|------|--|------|------|------|--------------------|------|------|------|---------------------|------|------|------|------|----------------|------|--------------|------|----------------------------------|------|------|------|----------------|--|
| System Voltage | 220V 230V 240V | | | 120/240V 120/208V | | | | 220/380V 230/400V 277/480V | | | | 347/600V | | | | 120/240V | | | | | 240V | | 380V 480V | | 600V | | | | | |
| Protection Mode | L-N | L-G | N-G | L-N | L-G | L-L | N-G | L-N | L-G | L-L | N-G | L-N | L-G | L-L | N-G | L-N | H-N | L-G | H-G | L-L | H-L | N-G | L-G | L-L | L-G | L-L | L-G | L-L | | |
| MCOV | 320 | 320 | 320 | 150 | 150 | 300 | 150 | 320 | 320 | 640 | 320 | 420 | 420 | 840 | 420 | 150 | 320 | 150 | 320 | 300 | 470 | 150 | 320 | 320 | 550 | 550 | 750 | 750 | | |
| B3 Ring Wave 6kV, 500A | 660 | 750 | 720 | 420 | 480 | 610 | 340 | 660 | 750 | 960 | 720 | 715 | 829 | 1130 | 670 | 420 | 759 | 470 | 640 | 605 | 800 | 320 | 750 | 630 | 1050 | 860 | 1245 | 1060 | | |
| B3/C1 Combo Wave 6kV, 3kA | 910 | 1068 | 974 | 642 | 690 | 1010 | 620 | 910 | 1068 | 1700 | 974 | 1250 | 1340 | 2300 | 1230 | 642 | 910 | 690 | 1068 | 1010 | 1400 | 620 | 940 | 1020 | 1450 | 1670 | 1960 | 2260 | | |
| C3 Combo Wave 20kV, 10kA | 1490 | 1830 | 1690 | 1040 | 1300 | 1420 | 1240 | 1490 | 1830 | 2290 | 1690 | 1910 | 1960 | 2910 | 1880 | 1040 | 1490 | 1300 | 1830 | 1420 | 2050 | 1240 | 1650 | 1680 | 2160 | 2470 | 2760 | 2950 | | |
| UL1449 3 rd Edition 6kV, 3000A VPR | 1200 | 1200 | 1200 | 700 | 700 | 1200 | 700 | 1200 | 1200 | 1500 | 1200 | 1500 | 1500 | 2500 | 1500 | 800 | 1200 | 800 | 1200 | 1200 | 1500 | 800 | 1200 | 1200 | 1800 | 1800 | 2500 | 2500 | | |

All CurrentGuard™ systems measured limited voltages are peak values (±10%) measured from the zero reference point and are in compliance with test and evaluation procedures outlined in NEMA LS1-1992 (R2000), paragraphs 2.210 and 3.10.



ABB
Electrification Products Division
Building Products

Current Technology Surge Protective Devices

Tel: +1 800 238 5000

Fax: +1 804 236 4841

new.abb.com/low-voltage/products/surge

Specifications are subject to change without notice

BRO-CGP150-MK-2035 C01 081418