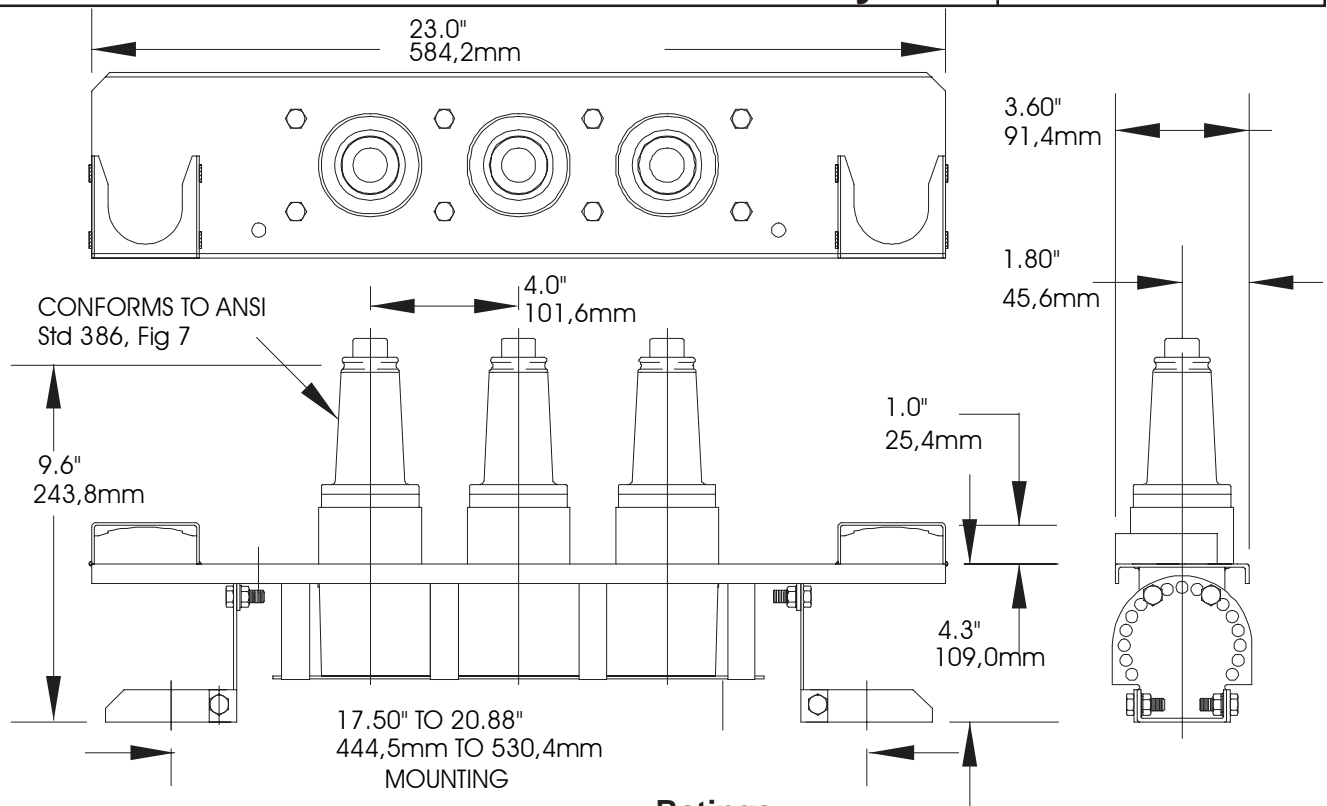


PRODUCT SPECIFICATION SHEET
I T C
35kV 200A Loadbreak Junction - 3 Way
373J3

 CONFORMS TO ANSI
Std 386, Fig 7

ELASTIMOLD junctions are designed for subsurface, vault or padmount applications and can be used for sectionalizing, looping, tapping, and equipment bypass. Junctions are designed to mate with other ELASTIMOLD products including:

- 375LR elbow connector
- 376LR elbow connector
- 370GLR grounding elbow
- 370TR test rod
- 370DR/370DRG insulated cap

ELASTIMOLD loadbreak junctions, provide a fully shielded, fully submersible, separable, insulated assembly designed for energized operation. They are suitable for use on 35-kV class distribution systems. And rated for 200-ampere loadmake/break operation. Junctions are equipped with universal brackets that accommodate curved or flat surfaces and provide tilt mounting angles from 0° to 90° in 15° increments.

Ratings

per ANSI/IEEE Standard 386
 35kV Voltage Class 1 Ø and 3 Ø
 21.1kV Max Phase-to-Ground - Operating Voltage
 36.6kV Max Phase-to-Phase
 150kV BIL - Impulse Withstand (1.2 x 50 microsecond wave)
 50kV AC - One minute Withstand
 103kV DC - 15 Minutes Withstand
 26kV AC - Corona Extinction @ 3p.C.sensitivity
 200 Amp - Continuous and Loadbreak
 10kA Sym - 10 Cycles Momentary & Fault Close.

Ordering Instructions:

Specify **373J3** for 35kV, 200 Amp, 3-way Loadbreak Junction
 Add "-5" at the end of the catalog number for junctions with "U" style mounting straps only.
 Add "-6" at the end of the catalog number for bracket only with "U" strap and mounting hardware.

The 373J3 3-way Junction kit contains the following:

1 - Basic Molded Junction	373J3-4
1 - Mounting Hardware	373J3-6
4 - U strap	163-159
3 - Protective shipping cap	2701-41
3 - Tube, lubricant	82-08
1 - Installation instruction	IS-373J2,J3,J4 10/82