

Issue Date: 10/01/2017

Page: 1 of 4

File: PSS-262LR-W5X

28kV	200A Loadbreak Elbow	w/ Test Point	262LR-W5X
------	----------------------	---------------	-----------



## Features:

- 28kV, 200 Amp Loadbreak Elbow
- Fully shielded, fully submersible molded rubber housing
- 100% peroxide-cured construction includes insulation and conductive EPDM materials
- Provision for hot stick operation
- Provision for ground wire connection
- Wide cable range with minimum number of sizes
- Long bi-metal compression lug is standard

## 262LR Loadbreak Elbow Connector

### Applications:

The Elastimold® 262LR Elbow Connector is a fully rated 28kV, 200 Amp Class loadbreak connector. It includes provisions for energized operation using standard hotstick tools allowing loadmaking/loadbreak operation and a visible disconnect. It has a standard interface for connecting to 28kV, 200 Amp bushing inserts, junctions and operating accessories. The 262LR is designed for connecting to and operating 28kV Class, 200 Amp distribution apparatus. It provides a convenient method to connect/disconnect systems. Elastimold's 28 kV 200 Amp Loadbreak Elbow allows connection of cables with insulation diameters from .575" (20.3mm) to 1.31" (29.7mm) with five elbow sizes (#2 solid to 4/0 stranded, 260 mil). The 261/262 series covers the 0.575" to 1.22" range with four sizes (A to D) and the 275/276 covers the 1.09" to 1.31" range with one size (E).

### Ratings:

Meets ANSI/IEEE Standard 386, Latest Revision

#### For 28kV Voltage Class:

16.2kV Max Phase-to-Ground – Operating Voltage  
 28kV Max Phase-to-Phase  
 140kV BIL – Impulse Withstand (1.2 x 50 microsecond wave)  
 45kV AC – One minute withstand  
 84kV DC – 15 minutes withstand  
 21.5kV AC – Corona Extinction @ 3pC sensitivity  
 200 Amp – Continuous and Loadbreak  
 10kA Sym – 10 Cycles Momentary & Fault Close

28kV	200A Loadbreak Elbow	w/o Test Point	262LR-W5X
------	----------------------	----------------	-----------

## CATALOG NUMBER SELECTION

### Step 1 (W)

Determine the insulation diameter of the cable.  
 Select the insulation letter code that best straddles the insulation diameter from W table below. Insert code into catalog number.

### Step 2

Insert conductor material code from the Material Code table.

### Step 3 (X)

Choose the proper compression lug code according to the conductor size from the Conductor Code Table. Insert code into catalog number.

### Example:

The ordering number for an Elbow Connector for a 1/0 compressed/stranded, 260 mil wall cable with an insulation diameter of .885" to .975" and with a capacitive test point is 262LR-C5240.



Material Code	
2	Copper*
5	Bi-metal**



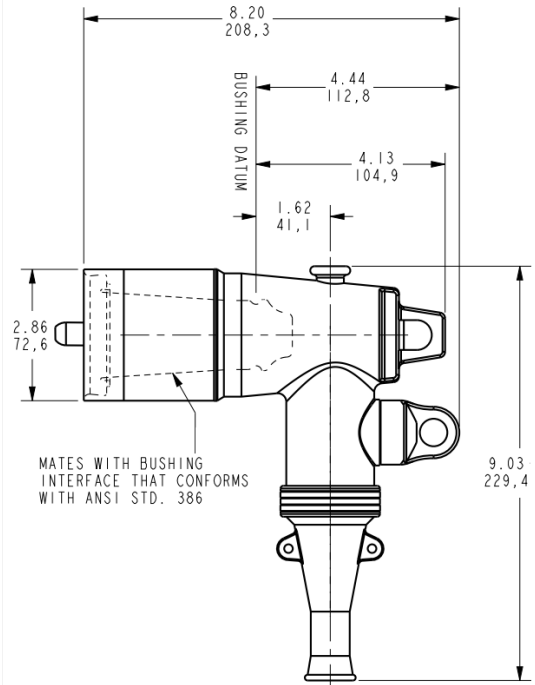
Cable Insulation Diameter in Inches		Cable Insulation Diameter in mm		Symbol for W
MIN.	MAX.	MIN.	MAX.	
0.575	0.740	14.61	18.80	A
0.635	0.905	16.13	22.99	B
0.805	1.060	20.45	26.92	C
0.890	1.220	22.61	30.99	D

**262LR**  
 Cat # just for Size "E"

Cable Insulation Diameter in Inches		Cable Insulation Diameter in mm		Symbol for W
MIN.	MAX.	MIN.	MAX.	
1.090	1.310	27.68	33.27	E

### Each kit contains the following:

- |   |                          |          |
|---|--------------------------|----------|
| 1 | Elbow connector housing  | 262BLR-W |
| 1 | Bi-metal compression lug | 02500XXX |
| 1 | Probe                    | 274LRF   |
| 1 | Probe wrench             | 271-94   |
| 1 | Tube, lubricant          | 82-08    |
| 1 | Crimp chart              | CC-0020  |
| 1 | Installation Instruction | IS-1380  |



XXX Code	Conductor Size AWG or kcmil			Connector only	
	Strand./ Compr.	Solid/ Comp.	mm <sup>2</sup>	Bi-Metal	Copper
190	-	#4	16.76	02500190	02702190
200	#4	#3	21.14	02500200	02702200
210	#3	#2	26.67	02500210	02702210
220	#2	#1	33.62	02500220	02702220
230	#1	1/0	42.41	02500230	02702230
240	1/0	2/0	53.49	02500240	02702240
250	2/0	3/0	67.43	02500250	02702250
260	3/0	4/0	85.01	02500260	02702260
270	4/0	250	107.20	02500270	02702270

### Notes:

- \* Copper compression lug suitable for all copper conductors only.
- \*\* Bi-metal compression lug with universal aluminum barrel suitable for copper or aluminum conductors.

28kV	200A Loadbreak Elbow	w/ Test Point	262LR-W5X
------	----------------------	---------------	-----------

**IMPORTANT:**

For safety purposes, a sealing & grounding kit with the loadbreak elbow is **HIGHLY RECOMMENDED**. Please choose from the sealing and grounding kit below:

### Jacket Concentric Neutral Cable

### Copper Tape Shield Cable

**200ECS**

**200ECSG3**

For Jacketed Concentric Neutral Cables, the sealing kit part number will be: **200ECS** or add suffix “-S” to part number for cables with nominal O.D. within the range of .80”-1.50”

For Copper Tape Shield Cables, the sealing & grounding kit part number will be: **200ECS** or add suffix “-S” to part number for cables with nominal O.D. within the range of .80”-1.50”

**Example:**

The ordering number for an Elbow Connector for a 1/0 compressed/stranded, jacketed concentric neutral, 220 mil wall cable with an insulation diameter of .805” to .895”, overall cable diameter is 1.03” and capacitive test point is **262LR-B5240-S**.

**Example:**

The ordering number for an Elbow Connector for a 1/0 compressed/stranded, copper tape shield, 220 mil wall cable with an insulation diameter of .805” to .895”, overall cable diameter is 1.05” and capacitive test point is **262LR-B5240-SG3**.

For installation instruction for the 200ECS, please see IS-459

For installation instruction for the 200ECSG3, please see IS-460



28kV	200A Loadbreak Elbow	w/ Test Point	262LR-W5X
------	----------------------	---------------	-----------

## Unishield Cable

10TL-W



For Unishield Cables, the shield adapter part number will be: **10TL-W**, where the "W" letter code will be determined by the insulation diameter of the Unishield cable. Please see W Table below for W code. Or add suffix "-TL" to the part number.

10TL - W Code

Cable Insulation Diameter in Inches		Cable Insulation Diameter in mm		Symbol for W
MIN.	MAX.	MIN.	MAX.	
0.495	0.585	12.6	14.9	EB
0.525	0.635	13.3	16.1	EF
0.575	0.685	14.6	17.4	FA
0.625	0.735	15.9	18.7	FAB
0.675	0.785	17.1	19.9	FB
0.725	0.835	18.4	21.2	FG
0.775	0.885	19.7	22.5	GA
0.825	0.935	21.0	23.7	GAB
0.875	0.985	22.2	25.0	GB
0.930	1.040	23.6	26.4	GH
0.980	1.115	24.9	28.3	HA
1.040	1.175	26.4	29.8	HAB
1.095	1.240	27.8	31.5	HB
1.160	1.305	29.5	33.1	HJ
1.220	1.375	31.0	34.9	JA
1.285	1.395	32.6	35.4	JAB
1.355	1.520	34.4	38.6	JB
1.485	1.595	37.7	40.5	KA
1.530	1.640	38.9	41.7	KAB
1.575	1.685	40.0	42.8	KB
1.765	1.875	44.8	47.6	PB

### Example:

The ordering number for an Elbow Connector for a 1/0 compressed/stranded Unishield, 220 mil wall cable with an insulation diameter of .825" to .935", overall cable diameter is 1.03" and capacitive test point is **TL-GAB** Plus the kit **262LR-B5240-S**

## Copper Tape Shield Cable



### Example:

Partial installation example of **262LR-B5240-SG3** for copper tape shield cables. For full instruction please see IS-460.

## Concentric Neutral Cable



### Example:

Partial installation example of **262LR-B5240-S** for concentric neutral cables. For full instruction please see IS-459.