

Issue Date: 12/14/2012

Page: 1 of 2

File: PSS-160GLR

15kV	200A Grounding Elbow	w/ Ground Lead	160GLR
------	----------------------	----------------	--------



## Features:

- 15kV, 200 Amp Rated
- Equipped with a 600ft, 600 Volt, 1/0 stranded, tinned copper ground lead.
- Compatible with all IEEE Standard 386 15kV bushing connections.

## 160GLR Grounding Elbow (with Ground Lead)

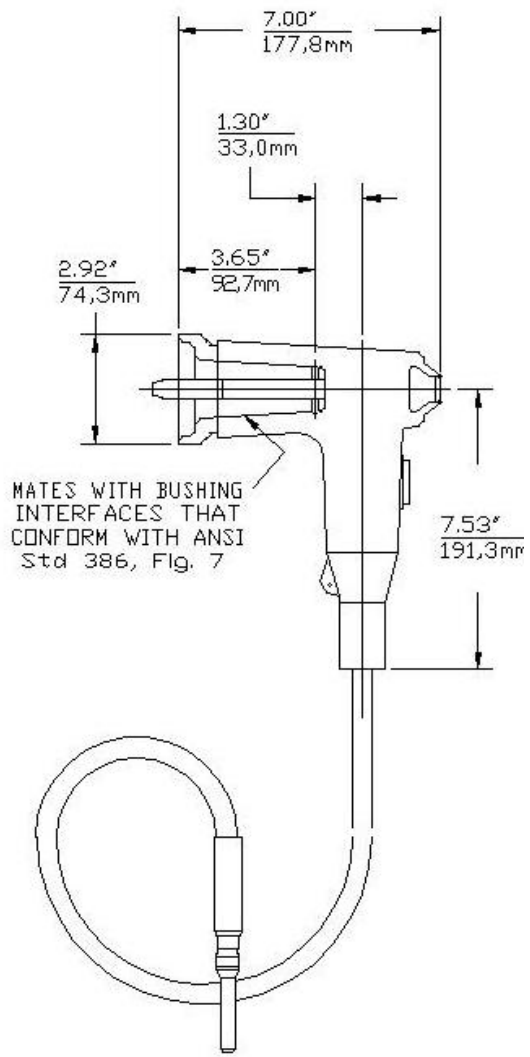
### Applications:

The Elastimold® 160GLR grounding elbow is designed to visibly ground cables, transformers, switchgear, or other equipment. It can be operated alone or in combination with the 164FT feed-thru. The 160GLR grounding elbow has a stainless steel pulling eye and a 1/0 AWG, 6 ft, 600 Volt insulated, stranded, tinned copper ground lead.

### Ratings:

Meets ANSI/IEEE Standard 386, Latest Revision  
15kV Voltage Class  
200 Amp – Continuous  
10kA Sym – 10 Cycles Momentary & Fault Close

15kV	200A Grounding Elbow	w/ Ground Lead	160GLR
------	----------------------	----------------	--------



### Ordering Instructions:

To order, specify number **160GLR** grounding elbow.

### Each kit contains the following:

- |   |                          |           |
|---|--------------------------|-----------|
| 1 | Grounding Elbow          | 160GLR    |
| 1 | Lubricant                | 82-08     |
| 1 | Installation Instruction | IS-0269   |
| 1 | Protective Shipping Cap  | 160-164-1 |