

25kV	200A Loadbreak Insulated Parking Bushing	272SOP
------	---	--------



Features:

- 25kV, 200 Amp Loadbreak Rated
- Uses integral parking stand mount
- Molded EPDM interface
- Cast aluminum bracket with slotted end, which inserts into parking stand

272SOP Loadbreak Insulated Parking Bushing

Applications:

The Elastimold® 272SOP Insulated Parking Bushing is equipped with a 25kV class, 200 Amp loadbreak interface, a cast aluminum bracket for insertion into a standard parking stand. The 272SOP is inserted into the parking stand with an insulated hot stick and secured into place. Mating Elastimold® 25kV class Loadbreak Elbows can then be moved from the equipment and placed on the 272SOP to provide a fully shielded connection. Provisions for grounding the 272SOP mounting bracket are included.

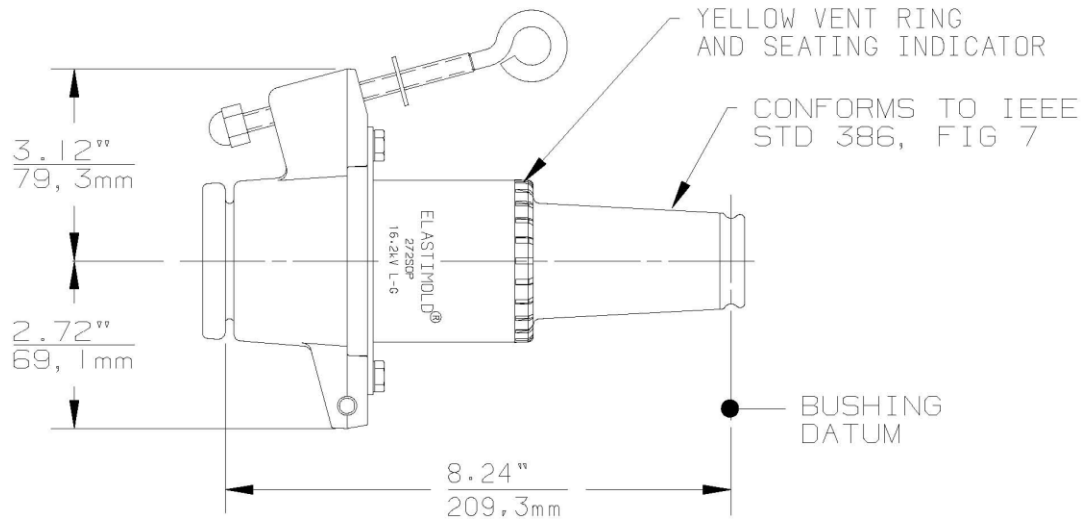
Ratings:

Meets ANSI/IEEE Standard 386, Latest Revision

For 25kV Voltage Class:

15.2kV Max Phase-to-Ground – Operating Voltage
 26.3kV Max Phase-to-Phase
 125kV BIL – Impulse Withstand (1.2 x 50 microsecond wave)
 40kV AC – One minute withstand
 78kV DC – 15 minutes withstand
 19kV AC – Corona Extinction @ 3pC sensitivity
 200 Amp – Continuous and Loadbreak
 10kA Sym – 10 Cycles Momentary & Fault Close

25kV	200A Loadbreak Insulated Parking Bushing	272SOP
------	---	--------



Ordering Instructions:

To order, specify number **272SOP** insulated parking bushing.

Each kit contains the following:

- | | | |
|---|---------------------------|---------|
| 1 | Insulated parking bushing | 272SOP |
| 2 | Lubricant | 82-08 |
| 1 | Installation Instruction | IS-0778 |
| 1 | Protective shipping cap | 2701-41 |