

35kV	200A Loadbreak Bushing Insert 3Ø	3701A3
------	----------------------------------	--------



Features:

- 35kV, 200 Amp Loadbreak Rated
- Rated for 1 Ø and 3 Ø switching
- Black vent ring
- Peroxide-cured insulation and jacket
- Provision for ground wire connection

3701A3 Loadbreak Bushing Insert

Applications:

The Elastimold® 3701A3 bushing insert is fully 3Ø rated with a 35kV class, 200 Amp load break bushing interface. The load break bushing insert fits a standard ANSI bushing well interface and becomes the apparatus bushing interface for elbow connections. It may be used as the bushing interface for connecting shielded cable to the following:

- Sub-surface transformers
- Generators
- Pad mounted transformers
- Regulators
- Switchgear
- Reclosers

Designed for use as an apparatus bushing interface, the 3701A3 is easily installed in an Elastimold® universal bushing well and mated with an appropriate Elastimold® product.

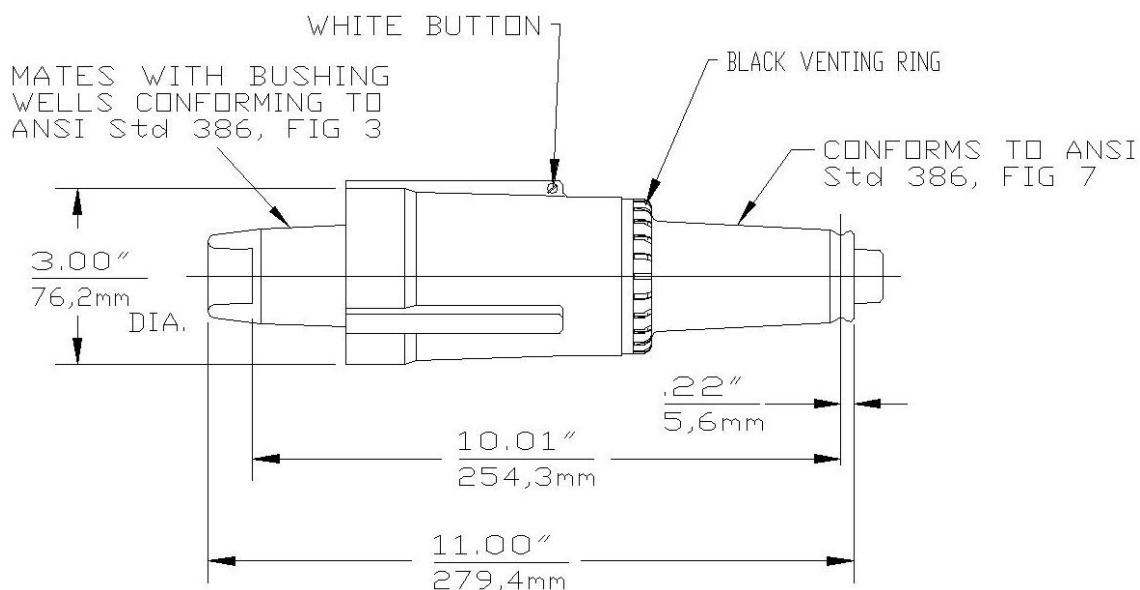
Ratings:

Meets ANSI/IEEE Standard 386, Latest Revision

For 35kV Voltage Class 1 Ø and 3 Ø:

21.1kV Max Phase-to-Ground – Operating Voltage
 36.6kV Max Phase-to-Phase
 150kV BIL – Impulse Withstand (1.2 x 50 microsecond wave)
 50kV AC – One minute withstand
 103kV DC – 15 minutes withstand
 26kV AC – Corona Extinction @ 3pC sensitivity
 200 Amp – Continuous and Loadbreak
 10kA Sym – 10 Cycles Momentary & Fault Close

35kV	200A Loadbreak Bushing Insert 3Ø	3701A3
------	----------------------------------	--------



Ordering Instructions:

To order, specify number **3701A3** bushing insert.

Each kit contains the following:

1	Bushing Insert	3701A3
1	Protective shipping cap	2701-41
1	Lubricant	82-08
1	Installation Instruction	IS-0358

Notes:

1. Includes internal torquing feature using 200AT assembly tool.
2. Includes a black vent ring.