

Issue Date: 2/12/2016

Page: 1 of 2

File: PSS-3701A4

35kV	200A Loadbreak Bushing Insert 1Ø	3701A4
------	----------------------------------	--------



Features:

- 35kV, 200 Amp Loadbreak Rated
- Rated for 1 Ø switching
- Black vent ring
- Peroxide-cured insulation and jacket
- Provision for ground wire connection

3701A4 Loadbreak Bushing Insert

Applications:

The Elastimold® 3701A4 bushing insert is 1Ø rated with a 35kV class, 200 Amp load break bushing interface. The load break bushing insert fits a standard ANSI bushing well interface and becomes the apparatus bushing interface for elbow connections. It may be used as the bushing interface for connecting shielded cable to the following:

- Sub-surface transformers
- Generators
- Pad mounted transformers
- Regulators
- Switchgear
- Reclosers

Designed for use as an apparatus bushing interface, the 3701A4 is easily installed in an Elastimold® universal bushing well and mated with an appropriate Elastimold® product.

Ratings:

Meets ANSI/IEEE Standard 386, Latest Revision

For 35kV Voltage Class:

21.1kV Max Phase-to-Ground – Operating Voltage
150kV BIL – Impulse Withstand (1.2 x 50 microsecond wave)

50kV AC – One minute withstand

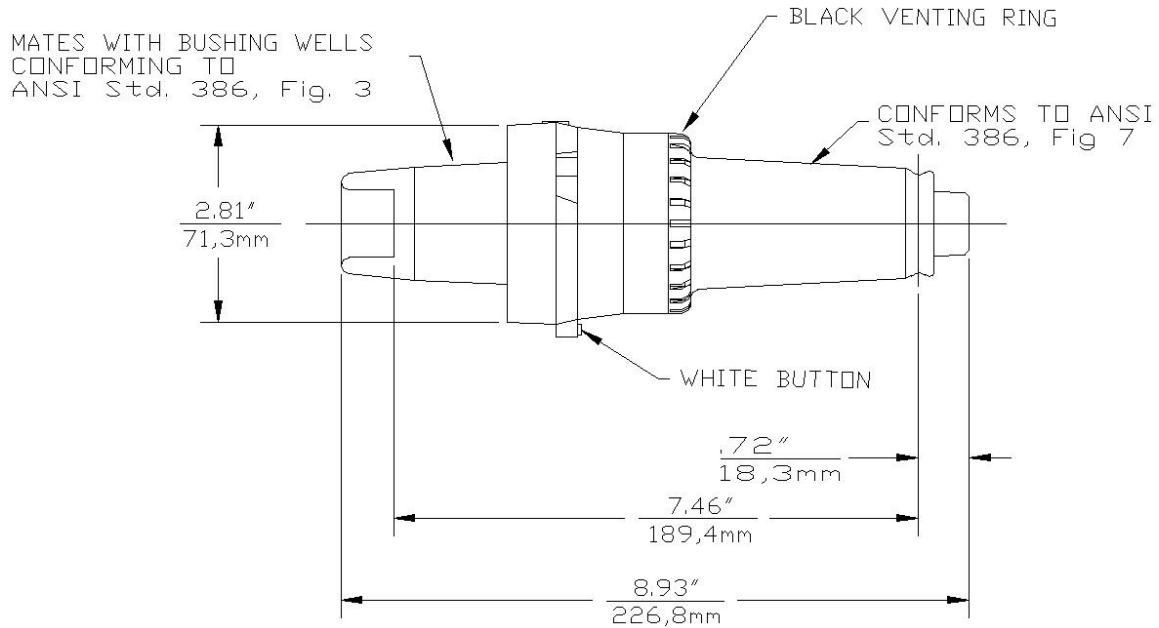
103kV DC – 15 minutes withstand

26kV AC – Corona Extinction @ 3pC sensitivity

200 Amp – Continuous and Loadbreak

10kA Sym – 10 Cycles Momentary & Fault Close

35kV	200A Loadbreak Bushing Insert 1Ø	3701A4
------	----------------------------------	--------



Ordering Instructions:

To order, specify number **3701A4** bushing insert.

Each kit contains the following:

1	Bushing Insert	3701A4
1	Protective shipping cap	2701-41
1	Lubricant	82-08
1	Installation Instruction	IS-0287

Notes:

1. Rated for single phase applications only.
2. Includes a black vent ring.