

35kV	<b>200A Loadbreak Insulated Parking Bushing</b>	372SOP
------	---	--------



## Features:

- **35kV, 200 Amp Loadbreak Rated**
- **Uses integral parking stand mount**
- **Molded EPDM interface**
- **Cast aluminum bracket with slotted end, which inserts into parking stand**

## 372SOP Loadbreak Insulated Parking Bushing

### Applications:

The Elastimold® 372SOP Insulated Parking Bushing is equipped with a 35kV class, 200 Amp loadbreak interface, a cast aluminum bracket for insertion into a standard parking stand. The 272SOP is inserted into the parking stand with an insulated hot stick and secured into place. Mating Elastimold® 25kV class Loadbreak Elbows can then be moved from the equipment and placed on the 272SOP to provide a fully shielded connection. Provisions for grounding the 272SOP mounting bracket are included.

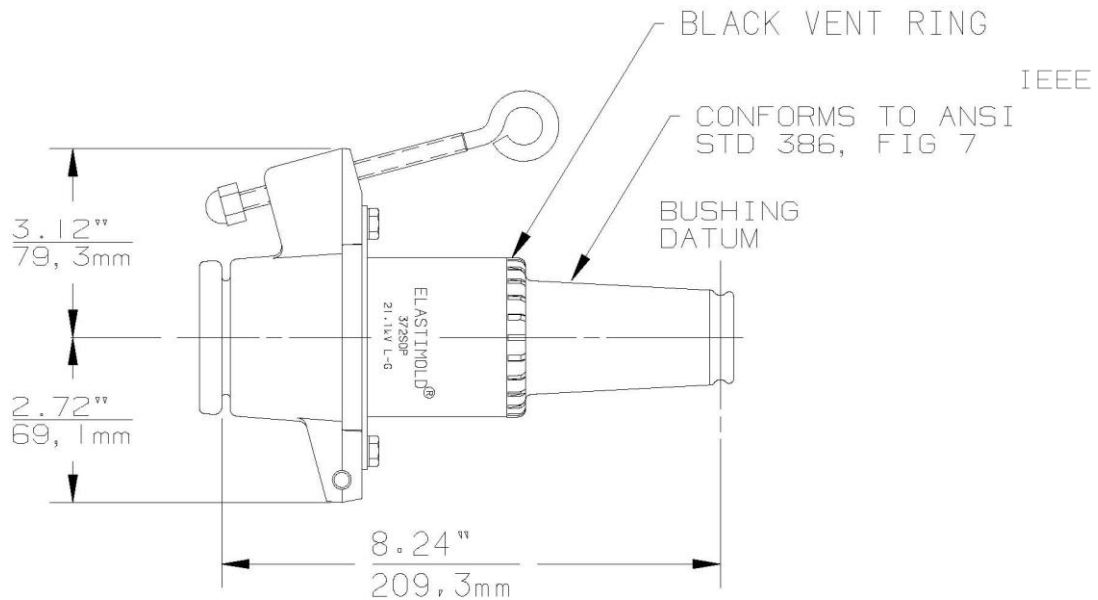
### Ratings:

Meets ANSI/IEEE Standard 386, Latest Revision

#### For 35kV Voltage Class 1 Ø and 3 Ø:

21.1kV Max Phase-to-Ground - Operating Voltage  
 36.6kV Max Phase-to-Phase  
 150kV BIL - Impulse Withstand (1.2 x 50 microsecond wave)  
 50kV AC - One minute Withstand  
 103kV DC - 15 Minutes Withstand  
 26kV AC - Corona Extinction @ 3p.C.sensitivity  
 200Amp - Continuous and Loadbreak  
 10kA Sym - 10 Cycles Momentary & Fault Close

35kV	<b>200A Loadbreak Insulated Parking Bushing</b>	372SOP
------	---	--------



### Ordering Instructions:

To order, specify number **372SOP** insulated parking bushing.

### Each kit contains the following:

- |   |                           |         |
|---|---------------------------|---------|
| 1 | Insulated parking bushing | 372SOP  |
| 2 | Lubricant                 | 82-08   |
| 1 | Installation Instruction  | IS-0779 |
| 1 | Protective shipping cap   | 2701-41 |