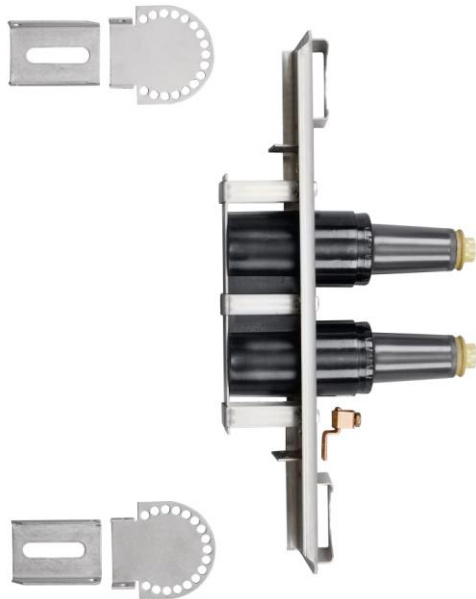


35kV	200A Loadbreak 2-Way Junction	w/ S.S. Bracket	373J2
------	-------------------------------	-----------------	-------



Features:

- 35kV, 200 Amp Loadbreak 2-Way Junction
- Fully shielded, fully submersible molded rubber housing
- 100% peroxide-cured construction includes insulation and conductive EPDM materials
- Provides mating for Elastimold® Elbow connectors
- Mounting hardware for flat or curved mounting positions
- Rated for 3Ø switching
- Includes black vent ring

373J2 Loadbreak 2-Way Junction

Applications:

ELASTIMOLD® junctions are designed for subsurface, vault or padmount applications and can be used for sectionalizing, looping, tapping, and equipment bypass. Junctions are designed to mate with other ELASTIMOLD® products including:

- 375/376LR Elbow Connector
- 370 Grounding Elbow
- 370TR Test Rod
- 375DR/376DRG Insulated Cap

ELASTIMOLD® loadbreak junctions, provide a fully shielded, fully submersible, separable, insulated assembly designed for energized operation. They are suitable for use on 35-kV class distribution systems, and rated for 200-ampere loadmake/loadbreak operation. Junctions are equipped with universal brackets that accommodate curved or flat surfaces and provide tilt mounting angles from 0° to 90° in 15° increments.

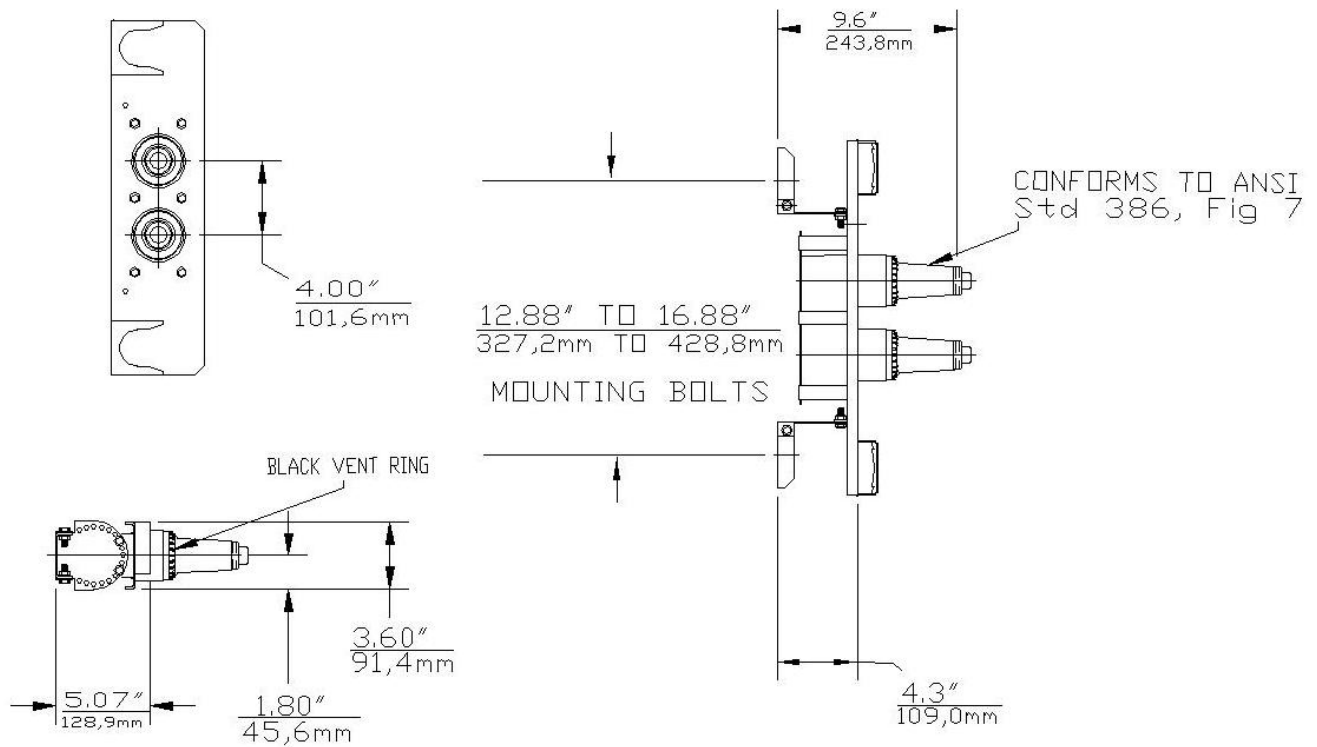
Ratings:

Meets ANSI/IEEE Standard 386, Latest Revision

For 35kV Voltage Class 1 Ø and 3 Ø:

21.1kV Phase-to-Ground – Operating Voltage
 36.6kV Max Phase-to-Phase
 150kV BIL – Impulse Withstand (1.2 x 50 microsecond wave)
 50kV AC – One minute withstand
 103kV DC – 15 minutes withstand
 26kV AC – Corona Extinction @ 3pC sensitivity
 200 Amp – Continuous and Loadbreak
 10kA Sym – 10 Cycles Momentary & Fault Close

35kV	200A Loadbreak 2-Way Junction	w/ S.S. Bracket	373J2
------	-------------------------------	-----------------	-------



Each kit contains the following:

- | | | |
|---|--------------------------|---------|
| 1 | Basic molded junction | 373J2 |
| 2 | Protective shipping cap | 2701-41 |
| 2 | Tube, lubricant | 82-08 |
| 1 | Installation instruction | IS-0078 |

Ordering Instructions:

Specify **373J2** for 35kV, 200 Amp, 2-way Loadbreak Junction.

Add "-5" at the end of the catalog number for Junctions with "U" style mounting straps only.