

35kV	600A Deadbreak 2-Way Junction	750J2
------	-------------------------------	-------



Features:

- 35kV, 600 Amp Deadbreak 2-Way Junction
- Fully shielded, fully submersible molded rubber housing
- 100% peroxide-cured construction includes insulation and conductive EPDM materials
- Provides mating for Elastimold® Elbow connectors
- Stainless Steel Mounting Bracket

750J2 Deadbreak 2-Way Junction

Applications:

ELASTIMOLD® junctions are designed for subsurface, vault or padmount applications and can be used for sectionalizing, looping, tapping, and equipment bypass. Junctions are designed to mate with other ELASTIMOLD® products including:

- 755 Elbow Connector
- 755BE Bushing Extender
- 755BEA2 Bushing Adapter

ELASTIMOLD® junctions are equipped with a stainless steel mounting bracket and back plate suitable for mounting on a flat surface.

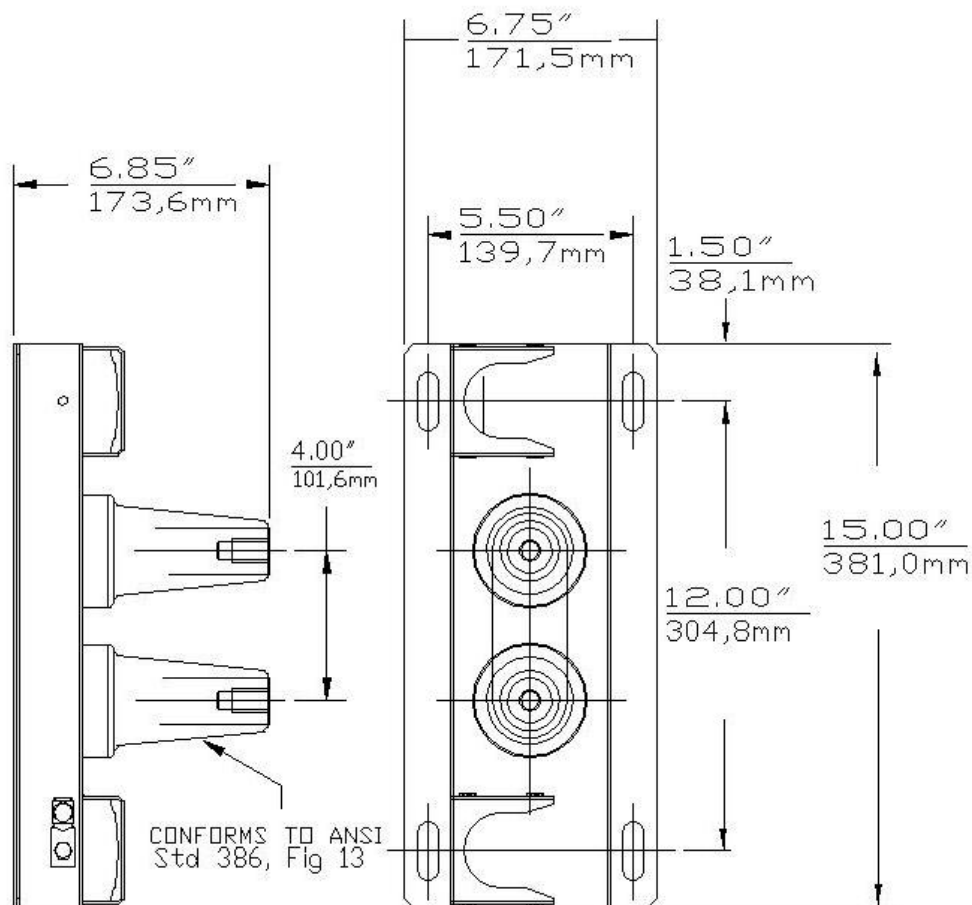
Ratings:

Meets ANSI/IEEE Standard 386, Latest Revision

For 35kV Voltage Class:

21.1kV Phase-to-Ground – Operating Voltage
 36.6kV Max Phase-to-Phase
 150kV BIL – Impulse Withstand (1.2 x 50 microsecond wave)
 50kV AC – One minute withstand
 103kV DC – 15 minutes withstand
 26kV AC – Corona Extinction @ 3pC sensitivity
 600 Amp – Continuous
 25kA Sym – 10 Cycles Momentary

35kV	600A Deadbreak 2-Way Junction	750J2
------	-------------------------------	-------



Each kit contains the following:

1	Basic molded junction	750J2
1	Mounting Hardware	600J2-6
2	Tube, lubricant	82-08
1	Installation instruction	IS-0207
2	Protective Cap	750PPC-01

Ordering Instructions:

Specify **750J2** for 35kV, 600 Amp, 2-way Deadbreak Junction.

Add "-5" at the end of the catalog number for Junctions with "U" style mounting straps only.

Add "-6" at the end of the catalog number for mounting bracket and back plate only.