

35kV	600A Deadbreak 4-Way Junction	750J4
------	-------------------------------	-------



## Features:

- 35kV, 600 Amp Deadbreak 4-Way Junction
- Fully shielded, fully submersible molded rubber housing
- 100% peroxide-cured construction includes insulation and conductive EPDM materials
- Provides mating for Elastimold® Elbow connectors
- Stainless Steel Mounting Bracket

## 750J4 Deadbreak 4-Way Junction

### Applications:

ELASTIMOLD® junctions are designed for subsurface, vault or padmount applications and can be used for sectionalizing, looping, tapping, and equipment bypass. Junctions are designed to mate with other ELASTIMOLD® products including:

- 755 Elbow Connector
- 755BE Bushing Extender
- 755BEA2 Bushing Adapter

ELASTIMOLD® junctions are equipped with a stainless steel mounting bracket and back plate suitable for mounting on a flat surface.

### Ratings:

Meets ANSI/IEEE Standard 386, Latest Revision

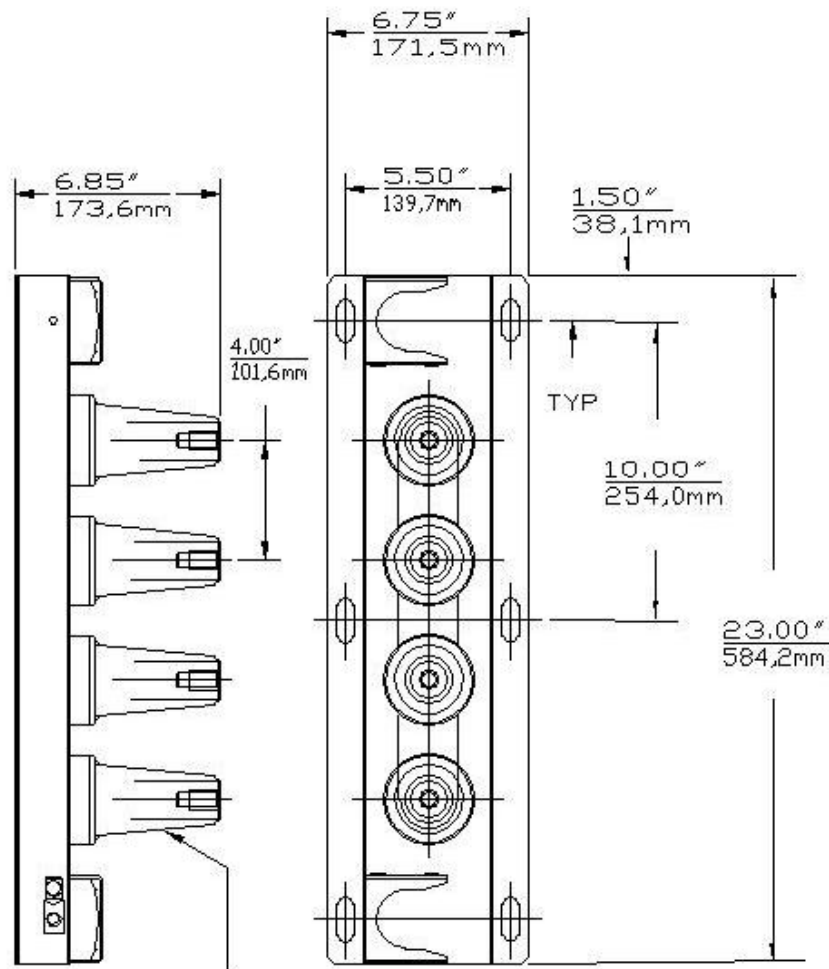
#### For 35kV Voltage Class:

21.1kV Phase-to-Ground – Operating Voltage  
 36.6kV Max Phase-to-Phase  
 150kV BIL – Impulse Withstand (1.2 x 50 microsecond wave)  
 50kV AC – One minute withstand  
 103kV DC – 15 minutes withstand  
 26kV AC – Corona Extinction @ 3pC sensitivity  
 600 Amp – Continuous  
 25kA Sym – 10 Cycles Momentary

35kV

600A Deadbreak 4-Way Junction

750J4



CONFORMS TO ANSI  
Std 386, Flg 13

### Ordering Instructions:

#### Each kit contains the following:

1	Basic molded junction	750J4
1	Mounting Hardware	600J4-6
2	Tube, lubricant	82-08
1	Installation instruction	IS-0207
4	Protective Cap	750PPC-01

Specify **750J4** for 35kV, 600 Amp, 4-way Deadbreak Junction.

Add "-5" at the end of the catalog number for Junctions with "U" style mounting straps only.

Add "-6" at the end of the catalog number for mounting bracket and back plate only.