

Issue Date: 10/25/2012

Page: 1 of 2

File: PSS-K650CP

15/25kV

600A Series Connecting Plug

K650CP



## Features:

- 15/25kV 600 Deadbreak rated
- Provisions for spanner wrench installation
- Allows de-energized connection of two 600 Amp connectors
- Available with or without stud

## K650CP Connecting Plug

### Applications:

The Elastimold® K650CP connecting plug is an insulated bus that is used to attach and connect two or more Elastimold® K655LR/K656LR 600 Amp connectors. Units use a 600SW spanner wrench for installation.

### Ratings:

Meets ANSI/IEEE Standard 386, Latest Revision

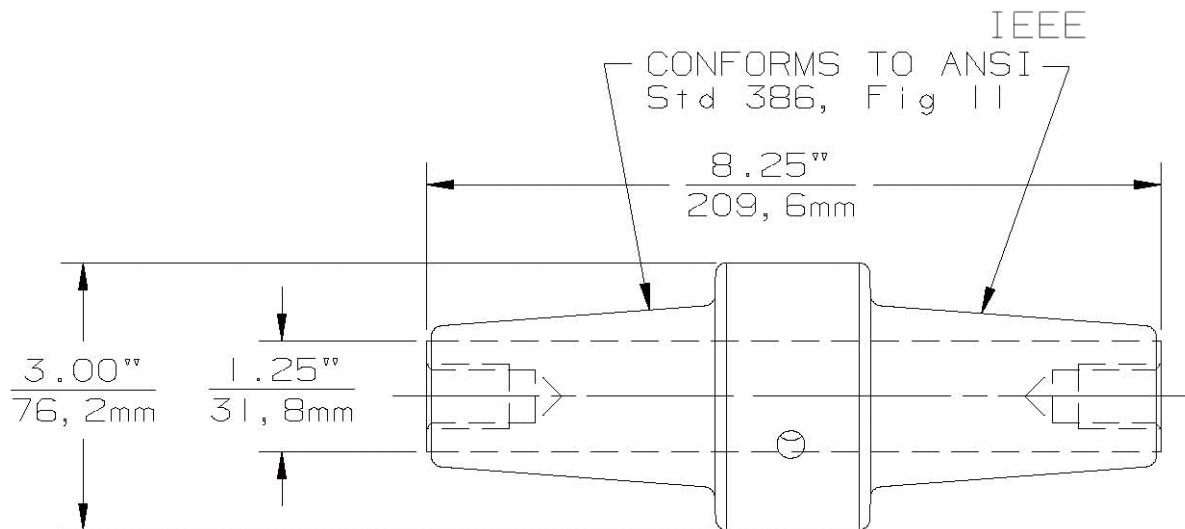
#### For 15kV Voltage Class:

8.3kV Max Phase-to-Ground – Operating Voltage  
 14.4kV Max Phase-to-Phase  
 95kV BIL – Impulse Withstand (1.2 x 50 microsecond wave)  
 34kV AC – One minute withstand  
 84kV DC – 15 minutes withstand  
 53kV AC – Corona Extinction @ 3pC sensitivity  
 600 Amp – Continuous  
 25kA Sym – 10 Cycles Momentary

#### For 28kV Voltage Class:

16.2kV Max Phase-to-Ground – Operating Voltage  
 28kV Max Phase-to-Phase  
 140kV BIL – Impulse Withstand (1.2 x 50 microsecond wave)  
 45kV AC – One minute withstand  
 84kV DC – 15 minutes withstand  
 21.5kV AC – Corona Extinction @ 3pC sensitivity  
 900 Amp – Continuous  
 25kA Sym – 10 Cycles Momentary

15/25kV	600A Series Connecting Plug	K650CP
---------	-----------------------------	--------



### Ordering Instructions:

To order 15/25kV 600 Amp connecting plug specify **K650CP**.

#### Each kit contains the following:

1	Connecting Plug	K650CP
1	Tube, lubricant	82-08
1	Installation instruction	IS-0230

#### Note:

- Available with the stud factory-assembled by adding "SP" to the part number.
- Available with a loose stud by adding suffix "S" to the part number.
- 600SW spanner wrench is recommended for installation of K650CP.