

Type 316 stainless steel  
liquidtight fittings

# ***T&B Liquidtight Systems™***

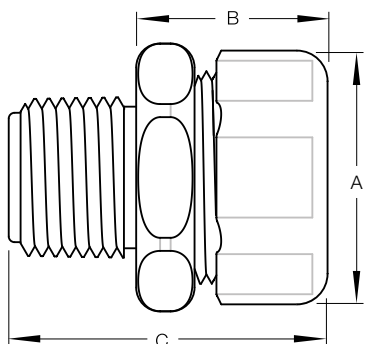


# A breakthrough solution for corrosive environments

## Superior corrosion resistance. T&B design.

Corrosive environments can cause traditional metallic fittings to corrode and require replacement. The new stainless steel T&B Liquidtight Fittings are constructed of type 316 stainless steel to resist corrosion, while offering high strength, UV resistance, and extreme performance up to 105 °C. Look for the distinctive blue insulator and sealing ring for the assurance of T&B quality. For applications above 150 °C, Thomas & Betts offers high temperature versions with black insulators and sealing rings. These fittings will include duraplated ground cones as well as type 316 stainless steel.

- Ideal for food and beverage, pharmaceutical, petrochemical, wastewater processing, salt water and other corrosive environments
- Connects flexible metallic liquidtight conduit to a box or enclosure
- Available with a 316 stainless steel body and corrosion-resistant gland nut
- Stronger and more UV-resistant than nonmetallic fittings
- NEMA Ratings: 3, 3R, 4, 4X



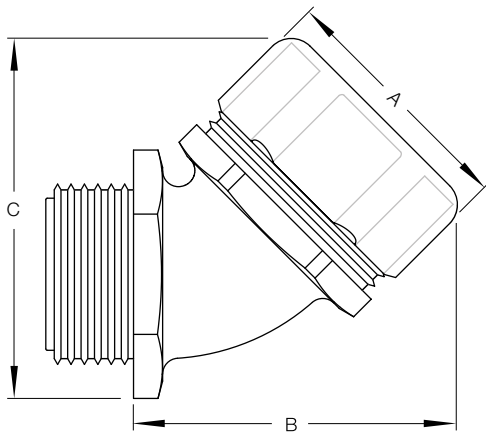
### 316 stainless steel liquidtight - straight fittings, insulated

Conduit Size	Duraplated ground cone		316 stainless steel ground cone		Dimensions			Inner pack	Outer pack
	Standard*	High temperature	Standard	High temperature	Dim A	Dim B	Dim C		
3/8"	5331SST6	5331SST6HT	5331SST6-6"	5331SST6-6HT	1.14"	1.03"	1.64"	25	100
1/2"	5332SST6	5332SST6HT	5332SST6-6"	5332SST6-6HT	1.33"	1.03"	1.74"	25	100
3/4"	5333SST6	5333SST6HT	5333SST6-6"	5333SST6-6HT	1.64"	1.03"	1.75"	25	50
1"	5334SST6	5334SST6HT	5334SST6-6"	5334SST6-6HT	1.89"	1.60"	2.19"	10	50
1 1/4"	5335SST6	5335SST6HT	5335SST6-6"	5335SST6-6HT	2.25"	1.68"	2.60"	5	25
1 1/2"	5336SST6	5336SST6HT	5336SST6-6"	5336SST6-6HT	2.56"	1.76"	2.68"	2	10
2"	5337SST6	5337SST6HT	5337SST6-6"	5337SST6-6HT	3.05"	1.76"	2.80"	1	5

150 °C rating applies to threaded box connections.

\*All standard fittings with Duraplated Ground Cone are UL/CSA Listed. Standard fittings with 316 SS Ground Cone are UL Listed up to 3/4".



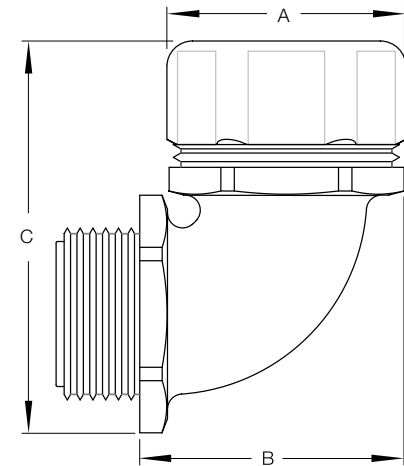


**316 stainless steel liquidtight - 45 °C fittings**

Conduit Size	Duraplated ground cone		316 stainless steel ground cone		Dimensions			Inner pack	Outer pack
	Standard*	High temperature	Standard	High temperature	Dim A	Dim B	Dim C		
3/8"	5341SST6	5341SST6HT	5341SST6-6*	5341SST6-6HT	1.14"	1.50"	1.46"	25	50
1/2"	5342SST6	5342SST6HT	5342SST6-6*	5342SST6-6HT	1.33"	1.72"	1.79"	25	50
3/4"	5343SST6	5343SST6HT	5343SST6-6*	5343SST6-6HT	1.64"	1.95"	2.03"	10	50
1"	5344SST6	5344SST6HT	5344SST6-6	5344SST6-6HT	1.89"	2.62"	2.45"	5	25
1 1/4"	5345SST6	5345SST6HT	5345SST6-6	5345SST6-6HT	2.25"	3.13"	3.05"	5	25
1 1/2"	5346SST6	5346SST6HT	5346SST6-6	5346SST6-6HT	2.56"	3.48"	3.48"	2	10
2"	5347SST6	5347SST6HT	5347SST6-6	5347SST6-6HT	3.05"	3.92"	4.22"	1	5

150 °C rating applies to threaded box connections.

\*All standard fittings with Duraplated Ground Cone are UL/CSA Listed. Standard fittings with 316 SS Ground Cone are UL Listed up to 3/4".



**316 stainless steel liquidtight - 90 °C fittings**

Conduit Size	Duraplated ground cone		316 stainless steel ground cone		Dimensions			Inner pack	Outer pack
	Standard*	High temperature	Standard	High temperature	Dim A	Dim B	Dim C		
3/8"	5351SST6	5351SST6HT	5351SST6-6*	5351SST6-6HT	1.14"	1.34"	1.94"	25	50
1/2"	5352SST6	5352SST6HT	5352SST6-6*	5352SST6-6HT	1.33"	1.61"	2.14"	25	50
3/4"	5353SST6	5353SST6HT	5353SST6-6*	5353SST6-6HT	1.64"	1.84"	2.52"	10	50
1"	5354SST6	5354SST6HT	5354SST6-6	5354SST6-6HT	1.89"	2.25"	3.10"	5	25
1 1/4"	5355SST6	5355SST6HT	5355SST6-6	5355SST6-6HT	2.25"	2.73"	3.78"	5	25
1 1/2"	5356SST6	5356SST6HT	5356SST6-6	5356SST6-6HT	2.56"	3.20"	4.34"	2	10
2"	5357SST6	5357SST6HT	5357SST6-6	5357SST6-6HT	3.05"	3.65"	5.16"	1	5

150 °C rating applies to threaded box connections.

\*All standard fittings with Duraplated Ground Cone are UL/CSA Listed. Standard fittings with 316 SS Ground Cone are UL Listed up to 3/4".



# Learn more about Liquidtight fittings.

Visit the T&B world of  
electrical product solutions

Visit our web site for more information about Thomas & Betts solutions and our newest products. For a user-friendly catalog and competitive part number search, application and technical support and other useful information, go to: [www.tnb.com](http://www.tnb.com)

## Industry codes and specifications

All Thomas & Betts products meet or exceed applicable industry specifications or codes which are detailed in the appropriate T&B product literature.

IEEE ANSI IEC

## Online CAD library

Thomas & Betts offers free download of two- and three-dimensional CAD models of many of its products in more than 90 native CAD formats at: [www.tnb.com/cadlibrary](http://www.tnb.com/cadlibrary)

## Landing Page

For more information, visit our landingpage at [www.tnb.com/ltfittings](http://www.tnb.com/ltfittings)

Please ask your Thomas & Betts sales representative for a complete catalog of quality Thomas & Betts electrical products or visit us at [www.tnb.com](http://www.tnb.com). For customer service, call 1-800-816-7809. For technical questions, call 1-888-862-3289.

© 2016 Thomas & Betts Corporation. All rights reserved. Printed in the U.S.A.  
11/16 GM1016

Thomas & Betts Corporation  
Electrification Products Division of ABB  
8155 T&B Boulevard  
Memphis, TN 38125  
901-252-5000  
[www.tnb.com](http://www.tnb.com)

**Thomas & Betts**  
A Member of the ABB Group